



FOR SME BUSINESS

Quick Installation Guide

IAS-L100 IP Audio Server



IAS-L100 IP Audio Server

Thank you for using the IP Audio Server,
Please read the instructions carefully before using.



IAS-L100 is a hardware server pre-installed with ZYCOO IP Audio Center, which can provide users with the out-of-the-box feature to be ready to use. The IP Audio Center is a comprehensive public address system that provides centralized IP audio endpoints auto provisioning and management features. To achieve features like background music, group paging, audio conferencing, video linkage, IP phone call, and etc. It is suitable for public safety, smart city, secure community, industry, healthcare, and much more application scenarios.



CONTENTS

1	Package Contents
2	Hardware Installation
2	Safety Precautions
6	Product Installation
10.....	Physical Connection
10.....	LED Definitions
11.....	Basic System Configuration
11	Web Login
12.....	Further Information

Package Contents

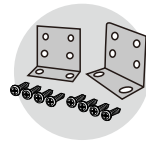
Thank you for purchasing ZYCOO IP Audio Server. These are the items included with your IP Audio Server purchase:



IAS-L100 (1 pcs)



Power Adapter(1 pcs)



Mounting Brackets and Fittings(2 pcs)



Warranty Card
(1 pcs)



Quick Installation Guide
(1 pcs)

Hardware Installation



The followings are instructions for setting up ZYCOO IAS-L100. Please refer to the illustration and follow the simple steps below to quickly install your public address system.

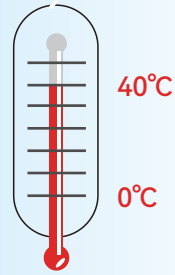
▶ Safety Precautions

Notes:

To avoid any device damage and bodily injury caused by improper use, please obey the following rules.

- 1 Keep the power off during the installation.
- 2 Wear an ESD-preventive wrist strap, and make sure that the wrist strap has a good skin contact and is well grounded.
- 3 Use only the power cord provided with IAS-L100.
- 4 Make sure that the supply voltage matches the specifications indicated on the rear panel of IAS-L100.
- 5 Confirm not to bring about the overload of power circuit before turning on the power of IAS-L100, to avoid the unnecessary damage.
- 6 To avoid the electric accident, do not open or remove the cover of IAS-L100 when it is working as well as off the power.
- 7 Before cleaning the device, cut off the power supply. Do not clean it by the waterish cloth, and never use any other liquid cleaning method.

Site Requirements



To ensure normal operation and long service life of the device, please install it in an environment that meets the requirements described in the following subsection. Please keep a proper temperature and humidity in the equipment room. Too high/low humidity may lead to bad insulation, electricity leakage, mechanical property changes and corrosions. Too high temperature may accelerate aging of the insulation materials and can thus significantly shorten the service life of the device. For normal temperature and humidity of the device, please check the following table.

Environment	Temperature	Humidity
Operating	0°C~40°C	10%~90% RH Non-condensing
Storage	-20°C~55°C	5%~95% RH Non-condensing

Cleaness



The dust accumulated on IAS-L100 can be absorbed by static electricity and result in poor contact of metal contact points. Some measures have been taken for the device to prevent static electricity, but too strong static electricity can cause deadly damage to the electronic elements on the internal circuit board. To avoid the effect of static electricity on the operation of IAS-L100, please attach much importance to the following items:

- 1 Dust the device regularly, and keep the indoor air clean.
- 2 Keep the device well grounded and ensure static electricity has been transferred.

Electromagnetic Interference



Electronic elements including capacitance and inductance on the device can be affected by external interferences, such as conducted emission by capacitance coupling, inductance coupling, and impedance coupling. To decrease the interferences, please make sure to take the following measures:

- 1 Use the power supply that can effectively filter interference from the power grid.
- 2 Keep the devices far from high-frequency, strong-current devices, such as radio transmitting station.
- 3 Use electromagnetic shielding when necessary.

Lightening Protection



Extremely high voltage currents can be produced instantly when lightning occurs and the air in the electric discharge path can be instantly heated up to 20,000°C. As this instant current is strong enough to damage electronic devices, more effective lightning protection measures should be taken:

- 1 Ensure the rack and devices are well earthed.
- 2 Make sure the power socket has a good contact with the ground.
- 3 Keep a reasonable cabling system and avoid induced lightning.
- 4 Use the signal SPD (Surge Protective Device) when wiring outdoor.

Note:

the device is specially designed for the usage of communication operators' computer room; please obey the following requirements for installation and maintenance.

▶ Product Installation

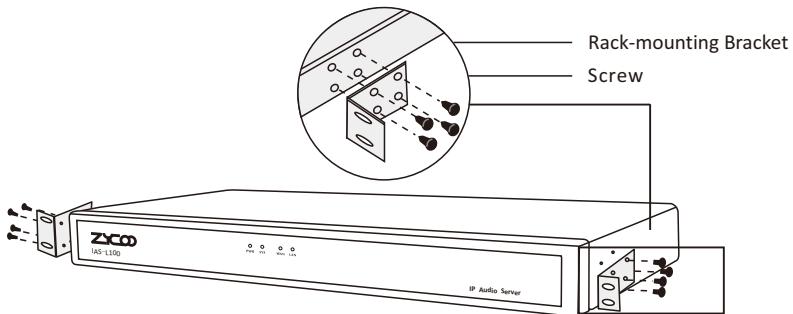
| Installation Tools

- ◆ Phillips screwdriver
- ◆ ESD-preventive wrist wrap
- ◆ Cables

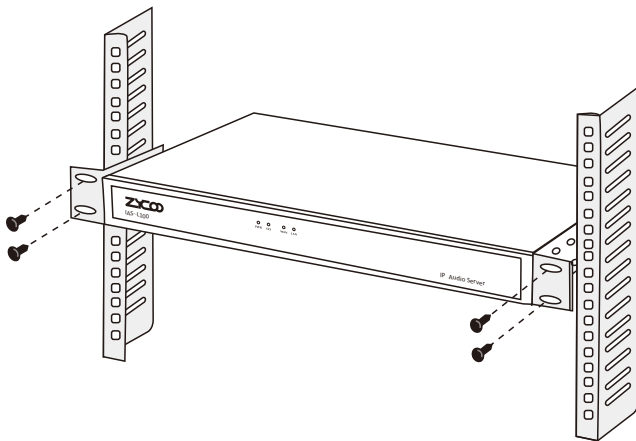
| Rack Installation

To install the device in an EIA standard-sized, 19-inch rack, follow the instructions described below:

- 1 Check the grounding and stability of the rack.
- 2 Secure the supplied rack-mounting brackets to each side of the device with supplied screws as illustrated in the following figure.



- 3 Install IAS-L100 to the right place in the rack, and then attach the brackets to the device.



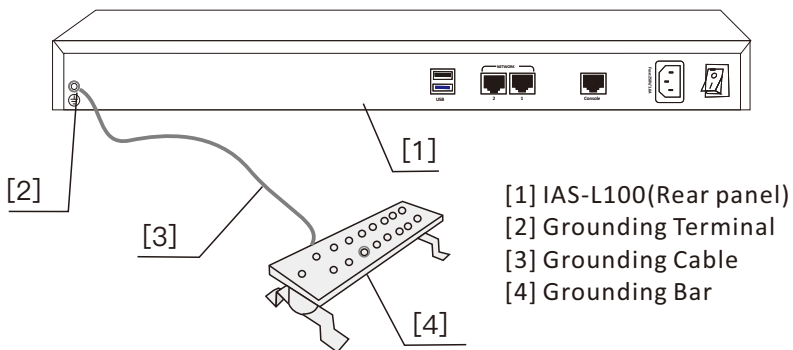
- 4 After the brackets are attached to the device, use suitable screws (not provided) to secure the brackets to the rack, as illustrated in the following figure.

Notes:

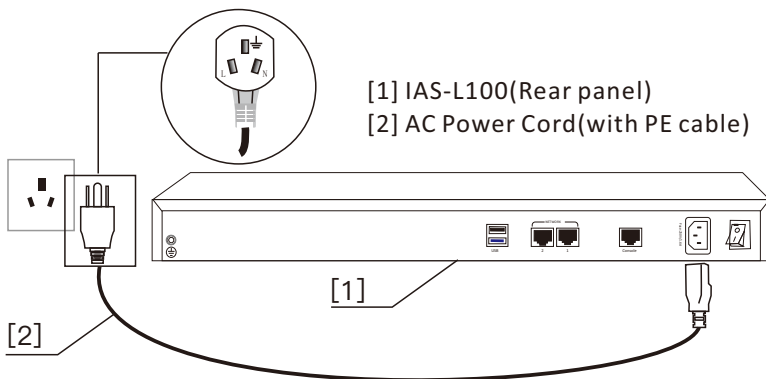
1. Please ensure the correct installation for the grounding of the rack, which is the most important guarantee of avoiding ESD, electricity leakage, lightning, and electromagnetic interference;
2. Please mount devices in sequence from the bottom to top of the rack to avoid overloading;
3. Please avoid any heavy thing placed on the device to avoid any unexpected accidents;
4. Please ensure heat dissipation and air circulation;
5. Recommended installation height not exceeding 2 metres.

Connect to Ground

- 1 Connecting the device to ground is to quickly release the lightning over-voltage and over-current of the device, which is also a necessary measure to protect the body from electric shock.
- 2 In different environments, the device may be grounded differently. Two measures are given in the following, of which the Grounding bar is better for the protection of lightning. Users can try to choose the most appropriate measure according to different situation.
- 3 If IAS-L100 is installed in the computer room, and the room has dedicated Grounding bar, then the using of ground wire to connect the device with the Grounding bar is put to the first consideration as shown in the following figure.



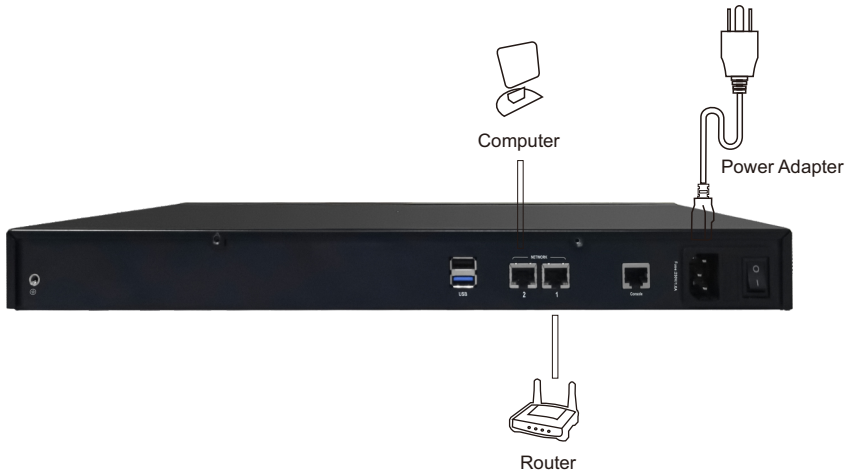
- 4 If the device is installed in the normal environment, the device can be grounded via the PE (Protecting Earth) cable of the AC power supply as shown in the following figure.



Notes:

If you intend to connect the device to the ground via the PE (Protecting Earth) cable of AC power cord, please make sure the PE (Protecting Earth) cable in the electrical outlet is well grounded in advance.

► Physical Connection



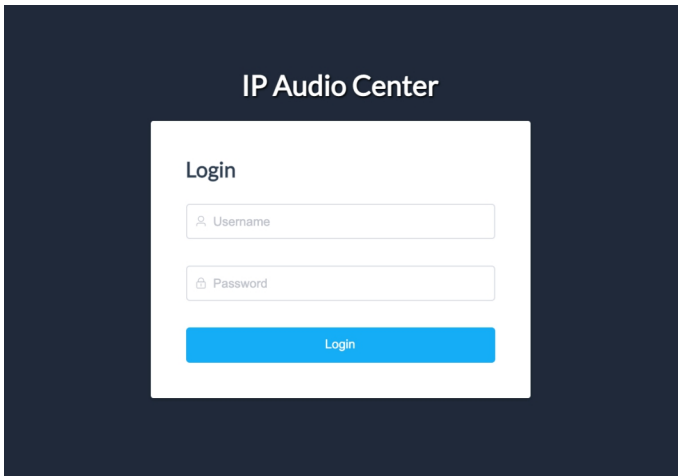
► LED Definitions

Indication	Function	Status	Explanation
PWR	Power Status	Green	Power On
		Off	Power Off
SYS	System Status	Wink	System is Running
		On	System Booting or Failed
WAN/LAN	WAN/LAN Interface Status	Wink	Data Transmitting
		Off	No Data Transmitting


Basic System Configuration

▶ Web Login

- 1 Connect a PC directly with the IAS-L100 on WAN or LAN port. Default IP of WAN port is 192.168.1.100, and default IP of LAN port is 192.168.10.100. Please change the PC IP address to 192.168.1.xx if you have connected WAN, or 192.168.10.xx if you have connect LAN.
- 2 Open a web browser, preferably Firefox, Google Chrome, or IE 11 or higher.
- 3 Enter the device's default IP address into the browser address bar to access the Web interface. WAN port: <https://192.168.1.100>; LAN port: <https://192.168.10.100>.
- 4 You may notice a browser security warning. Please ignore the notice and process to access the IAS-L100 Web interface.
- 5 Use the default login credential to access the IAS-L100. After logging in, please change the administrator password in time to ensure system security.
Default username & password: admin



Further Information



Thank you for the purchase of ZYCOO products. The above steps introduce basic configurations for IAS-L100. For further configurations, please refer to the user manual. If you have other questions, please contact the ZYCOO local dealers or distributors from where you purchased this product.

Leading IP Phone System Provider

Zycoo Communications LLC

www.zycoo.com

© 2023 Zycoo Communications LLC All rights reserved